

MOTOPLASTIC, S.A.

Molí de la sal, 1 - 08403 Granollers (Barcelona) SPAIN

Tel. 34 93 849 06 33 - Fax 34 93 849 09 88

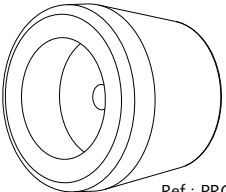
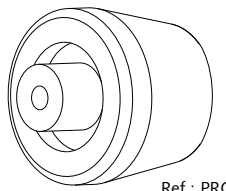
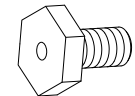
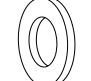

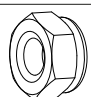
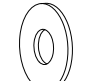
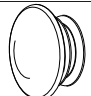
info@puig.tv - info@puigusa.com

www.puig.tv - www.puigusa.com

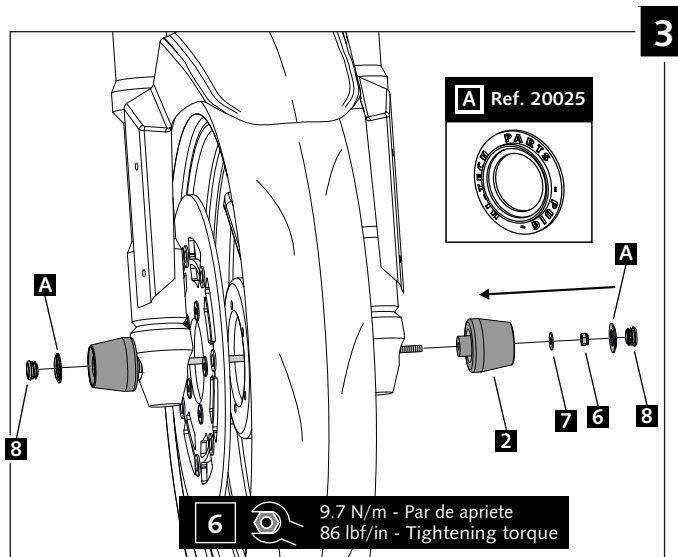
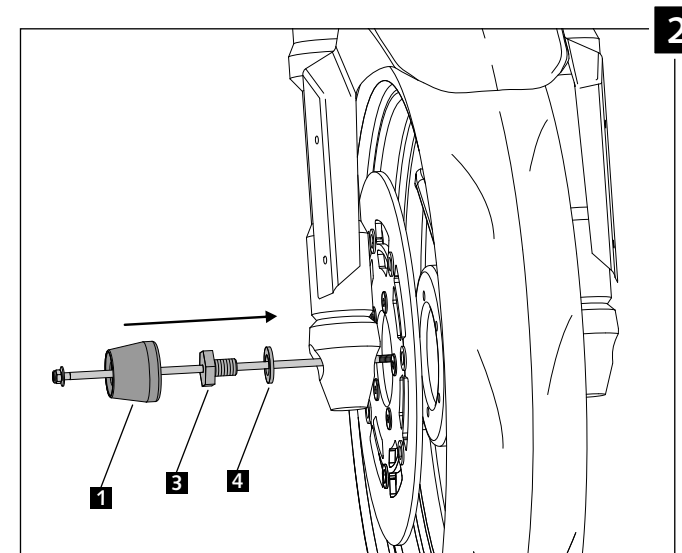
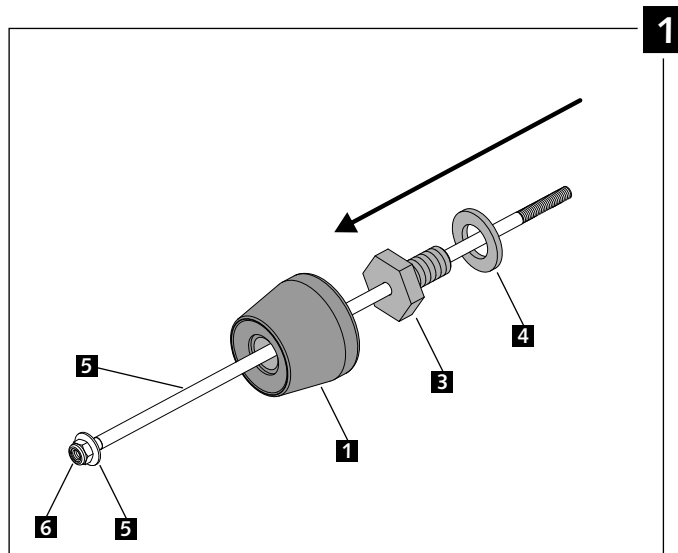
INSTRUCCIONES DE MONTAJE - MOUNTING INSTRUCTIONS - MONTAGEANLEITUNG

PROTECTOR HORQUILLA PHB19 ADAPTABLE A / FRONT-AXLE PHB19 ADAPTABLE TO
KYMCO AK 550 '17

Ref.: 20039N

ID.	PIEZA / PART	QTY.
1	 Ref.: PROFOR07-2-0751	1
2	 Ref.: PROFOR36-1-0036	1
3	 Ref.: M2TM16150025A8B	1
4	 Ref.: M2AM16DIN125AZB	1
5	 Ref.: VARIFO16-0-0016	1
6	 Ref.: TUZBM6000000024	2
7	 Ref.: ARANDEPD125-054	2
8	 Ref.: TAPAFINALR17-18	2

Created by www.ridisseny.com



CONSULTAR EN NUESTRA PAGINA WEB LA DISPONIBILIDAD DEL VIDEO DE MONTAJE DE ESTA REFERENCIA.
CONSULT OUR WEBSITE THE VIDEO MOUNT AVAILABILITY OF THIS REFERENCE.

